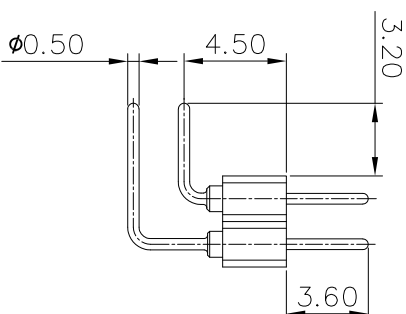
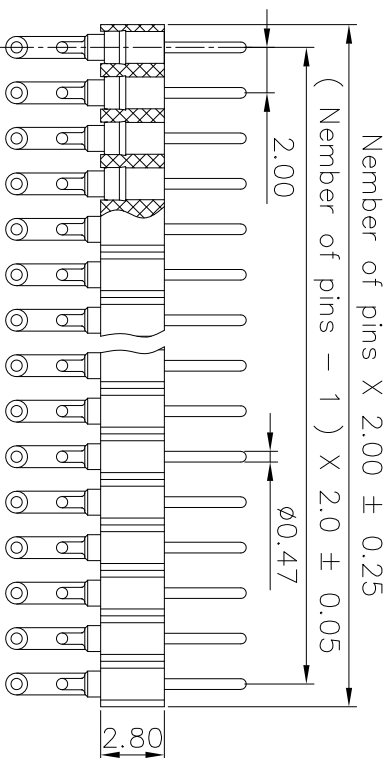
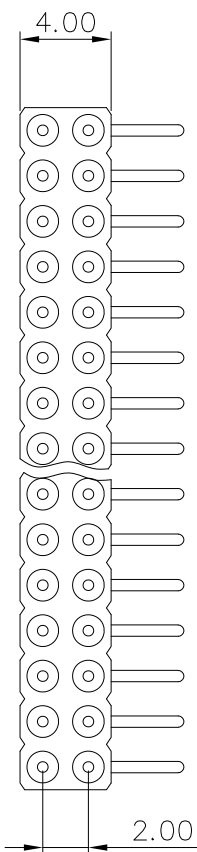


REV. NO.	REVISION NOTE	REVISER	DATE
V0	NEW DRAWING		2023/02/15

客户编码

XX-XXX



Technical Data

Material:

Pin(outer sleeve): Brass,machined CuZn38Pb2

Plating(outer sleeve):

Tin plated:2μm/80μ"Ni, 5μm/200μ"Sn

Gold Plated:2μm/80μ"Ni,0.8 μ " gold

Plating(contact): 2μm/80μ"Ni, gold or Tin plated

Insulator(black): PPS (UL94V-0)

Electrical:

Current rating: 3Amps/contact max.

Contact resistance: $\leq 4m\Omega$ /contact

Insulation resistance: $\geq 1000M\Omega$ at V=100V

Operating voltage: 60VAC/DC

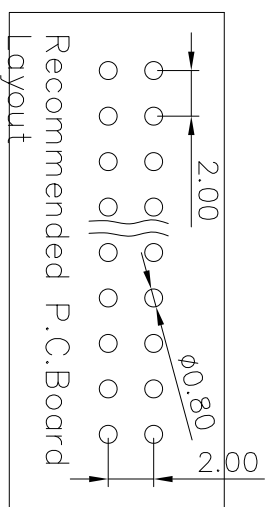
Mechanical:

Mechanical life cycle:min.200

Operating temperatures: Gold Plated:-55°C to+105°C

Tin plated:-40°C to+105°C

Soldering temperature: +260°C,10s max



http://www.ciscomn.com				深圳市新世联电子有限公司 TEL:+86(755)29912370 FAX:29912372	
Tolerance Unless Otherwise Specified		Title		圆孔排针2.0mm 双排 90度 (塑高2.8 塑宽4.0)	
.X ~ ±0.30	⊕	Units	Scale	REV NO.	Material No.
.XX ~ ±0.25	∅	mm	1:1	V0	XXXX-XXXX-XX-XX
.XXX ~ ±0.20	∠	Date	Reviewed By	Date	Approval By
Angle ~ ± 3°		LiuYang 2023/02/15			